

Type 1009AW Stainless Case Gauge with Bronze System



FEATURES

- Patented PowerFlex™ movement
- All welded construction
- True Zero™ pointer indication
- NEW ventable plug
- NEW patent pending through-dial calibration
- NEW MSL helium leak tested to 1×10^{-6} ATM-cc/sec
- Meets ASME B40.100 standard
- RoHS compliant
- CRN approved
- 5 year limited warranty

Ashcroft is pleased to reintroduce the 1009AW Duralife® pressure gauge. This gauge has been upgraded with many new features outlined above while maintaining the tried and true performance and quality you have come to expect.

Duralife 1009AW gauges provide significant features and benefits. New features include a ventable plug that can be sealed or vented depending on your environment and a patent pending through-dial recalibration that reduces recalibration time.

The combination of features including the patented PowerFlex™ movement and optional PLUS!™ Performance dampening system in the 1009AW is the finest gauge technology for vibration, shock and pulsation applications. Available in pressure ranges from vacuum to 1000 psi, including compound and metric ranges.

PRODUCT SPECIFICATIONS

Ashcroft Type No.:	1009AW
Sizes:	2½", 3½"
Case:	304SS
Ring:	304SS polished bayonet
Window:	Polycarbonate
Dial:	Black figures on white background, aluminum
Pointer:	Friction adjust, black, aluminum
Bourdon Tube:	316L stainless steel C-Shaped (vacuum-600 psi and compound) Helical (1000psi)
Socket:	Bronze
Movement:	300 series stainless steel, PowerFlex, polyester segment, overload/underload stops
Connections:	½ and ¾ NPT, lower or lower back
Ranges:	Vac-1000 psi and compound
Accuracy:	1% full scale; ASME Grade 1A ⁽¹⁾
Fill Plug:	Ventable
Protection:	Nema 4X / IP65 plug sealed Nema 3 / IP54 plug vented
Ambient Temperature Limitations:	-40°F to 200°F dry +20°F to 150°F glycerin filled -40°F to 150°F silicone filled (based on standard polycarbonate window)
OPTIONAL FEATURES	
Liquid fill:	Glycerin, silicone, halocarbon (includes throttle plug)
Dampening:	PLUS!™ Performance (LL) (includes throttle plug)
Window:	Safety glass (SG)
Pointer:	Micrometer (MP)
Connections:	Metric and SAE on request
Mounting:	U-clamp (UC), Front flange (FF), Back flange (FW)
Dials:	Receiver ranges, refrigerant ranges; custom dials

⁽¹⁾When these gauges are liquid filled the total gauge accuracy may be as much as 1.5%

HOW TO ORDER (Typical example)

35 1009 AW (L) 02L XXX 100#

Dial Size: 2½" (25), 3½" (35) _____

Case Type: 1009 _____

Tube and Socket Material: 316L SS & Bronze _____

Liquid Filled: (glycerin) leave blank if dry _____

Connection Size: ½ (01), ¾ (02) _____

Connection Location: Lower (L), Lower Back (B) _____

Options: _____

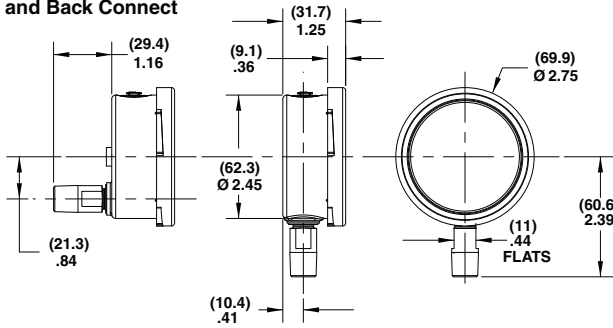
Range: 0/100 psi _____

Type 1009AW Stainless Case Gauge with Bronze System

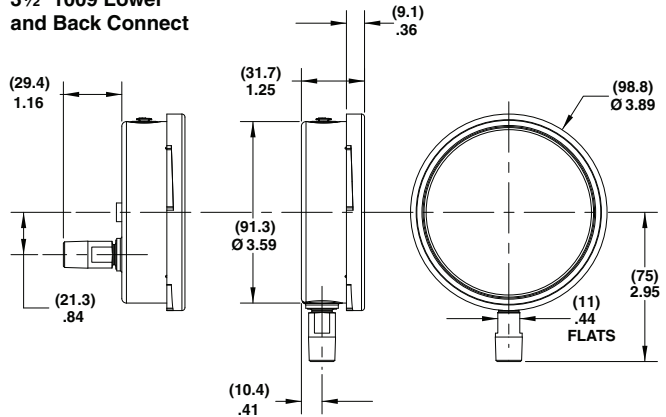


DIMENSIONS

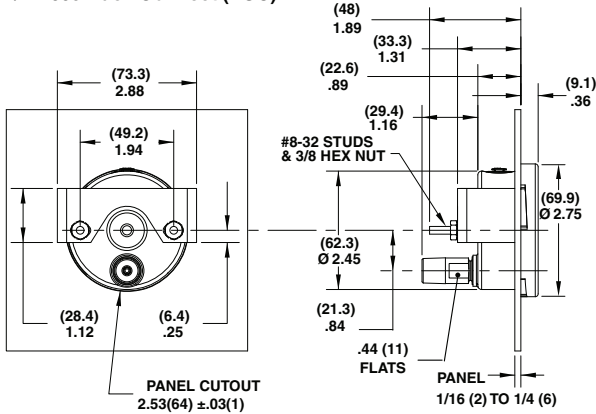
2 1/2" 1009 Lower and Back Connect



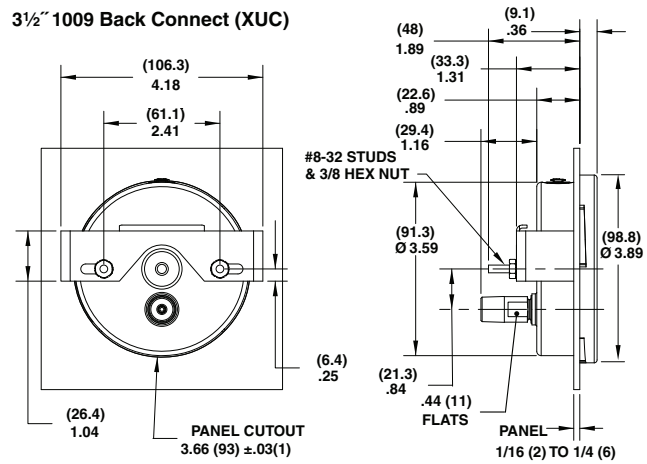
3 1/2" 1009 Lower and Back Connect



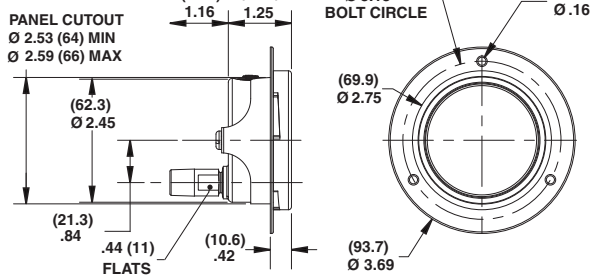
2 1/2" 1009 Back Connect (XUC)



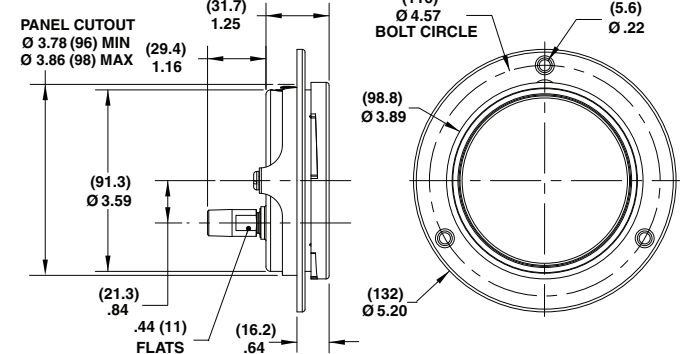
3 1/2" 1009 Back Connect (XUC)



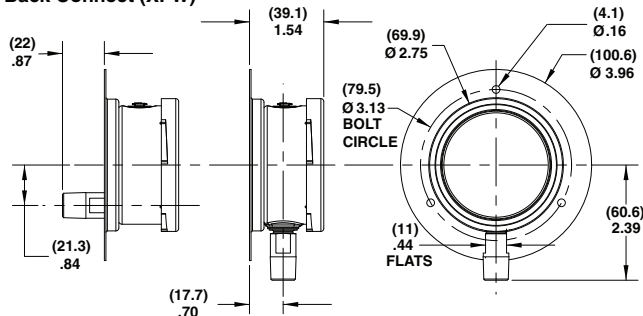
2 1/2" 1009 Back Connect (XFF)



3 1/2" 1009 Back Connect (XFF)



2 1/2" 1009 Lower and Back Connect (XFW)



3 1/2" 1009 Lower and Back Connect (XFW)

