

# AURORA® FIRE PUMPS

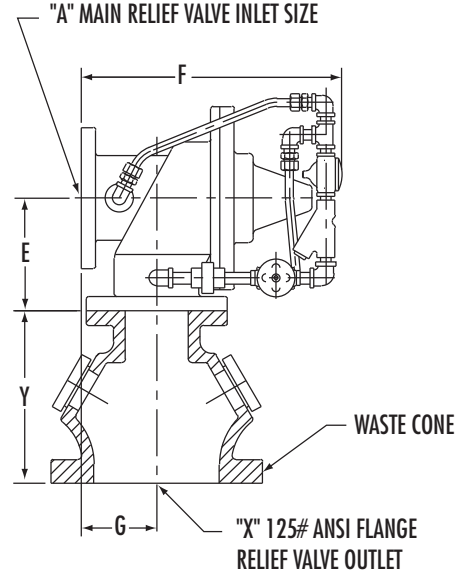
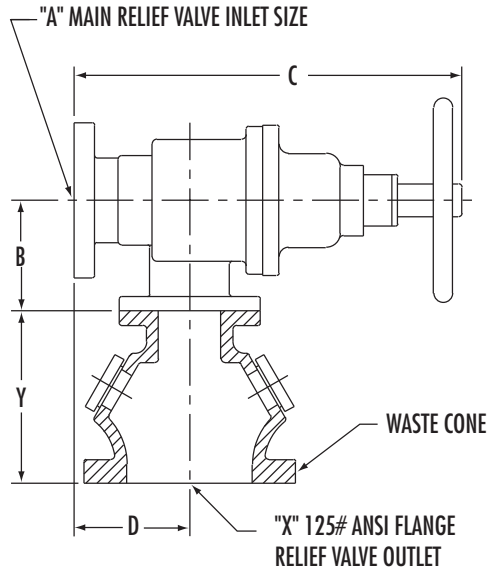
OPTION 79 - MAIN RELIEF VALVE

OPTION 80 - WASTE CONE

Date **September 2013**

Supersedes Section 916 Page 205

Dated April 2012



Spring-Operated Main Relief Valve

125# INLET FLANGE

250# INLET FLANGE

Enclosed Waste Cone

Pilot-Operated Main Relief Valve

125# INLET FLANGE

250# INLET FLANGE

Enclosed Waste Cone

PUMP RATING G.P.M.	A	INLET FLANGE RATING	SPRING-OPERATED MAIN RELIEF VALVE			PILOT OPERATED MAIN RELIEF VALVE			WASTE CONE VALVE	
			B	C	D	E	F	G	X	Y
250 500	3	125#	5-7/8 (149)	21-1/4 (540)	6-1/8 (155)	6 (152)	14-7/8 (378)	4 (102)	5	11 (279)
		250#				6 (152)	15-1/4 (387)	4-3/8 (111)		
750 1000	4	125#	6-7/16 (163)	22-5/8 (575)	6-5/8 (168)	7-5/8 (194)	16-15/16 (430)	5-1/16 (129)	6	11 (279)
		250#				7-15/16 (202)	17-1/4 (438)	5-3/8 (137)		
1250 1500 2000 2500	6	125#	8-1/2 (216)	36 (914)	9-3/8 (238)	10 (254)	19-7/8 (505)	6 (152)	8	14 (356)
		250#				10 (254)	20-3/8 (518)	6-1/2 (195)		
3000 3500	8	125#	Not Available			12-3/4 (324)	22-7/8 (581)	8 (203)	12	12 (305)
		250#				12-3/4 (324)	22-7/8 (581)	8-1/2 (216)		
4000 4500 5000	8	125#	Not Available			12-3/4 (324)	22-7/8 (581)	8 (203)	14	22-1/4 (565)
		250#				12-3/4 (324)	22-7/8 (581)	8-1/2 (216)		

**NOTES:**

- All dimensions are in inches (mm) and may vary ± 1/4 (6).
- Valves are available with inlet flange ratings of 125# or 250#. All waste cones have 125# flange ratings.
- Dimensions for conventional relief valves are not affected by flange rating.

- Relief valve discharge is intended to be piped to waste. Refer to factory if discharge is to be piped to a line where back pressure is present.
- Maximum operating pressure for valves rated for 125# is 175 PSI.
- Maximum operating pressure for valves rated for 250# is 300 PSI.



**PENTAIR**

**AURORA®**